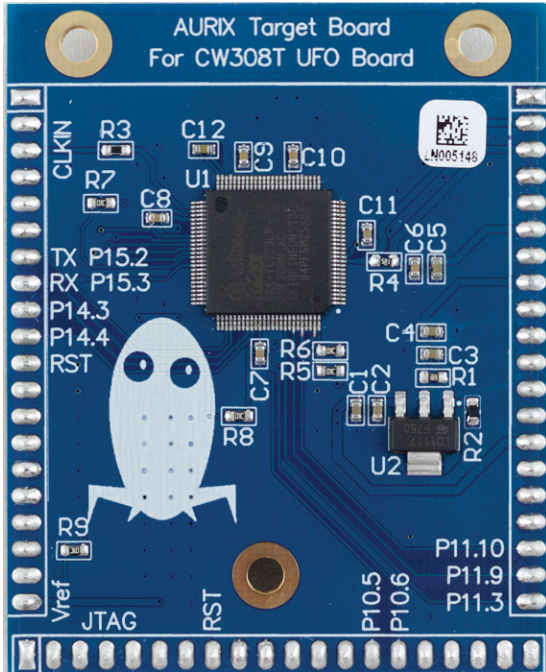




Aurix TC233LP UFO Target

NewAE Technology Inc.
newae.com



The Aurix TC233LP board features the TC233LP32F200NACKXUMA1 (SAK-TC233LP-32F200N AC) from Infineon. This device uses the 1st Generation Aurix core, and includes various features including a hardware security block.

This board requires an external programmer a Infineon DAP miniWiggler v3 (Infineon KITMINIWIGGLER3USBT0B01) along with a 10-pin header to 20-pin JTAG adapter (Olimex ARM-JTAG-20-10) is recommended.

The design files are available as part of the open-source ChipWhisperer example targets.

CW308 UFO Baseboard REQUIRED for use!
JTAG Programmer REQUIRED for use!

Product Highlights

Infineon Aurix TC233LP32F200NACKXUMA1 in TQFP-100 package features lock-step cores and automotive security features.

JTAG port on CW308 UFO baseboard breaks out JTAG pins to standard 20-pin JTAG header (requires adapter to use with MiniWiggler 50mil headers).

Full design files are available under an open-source license.

Ordering Summary

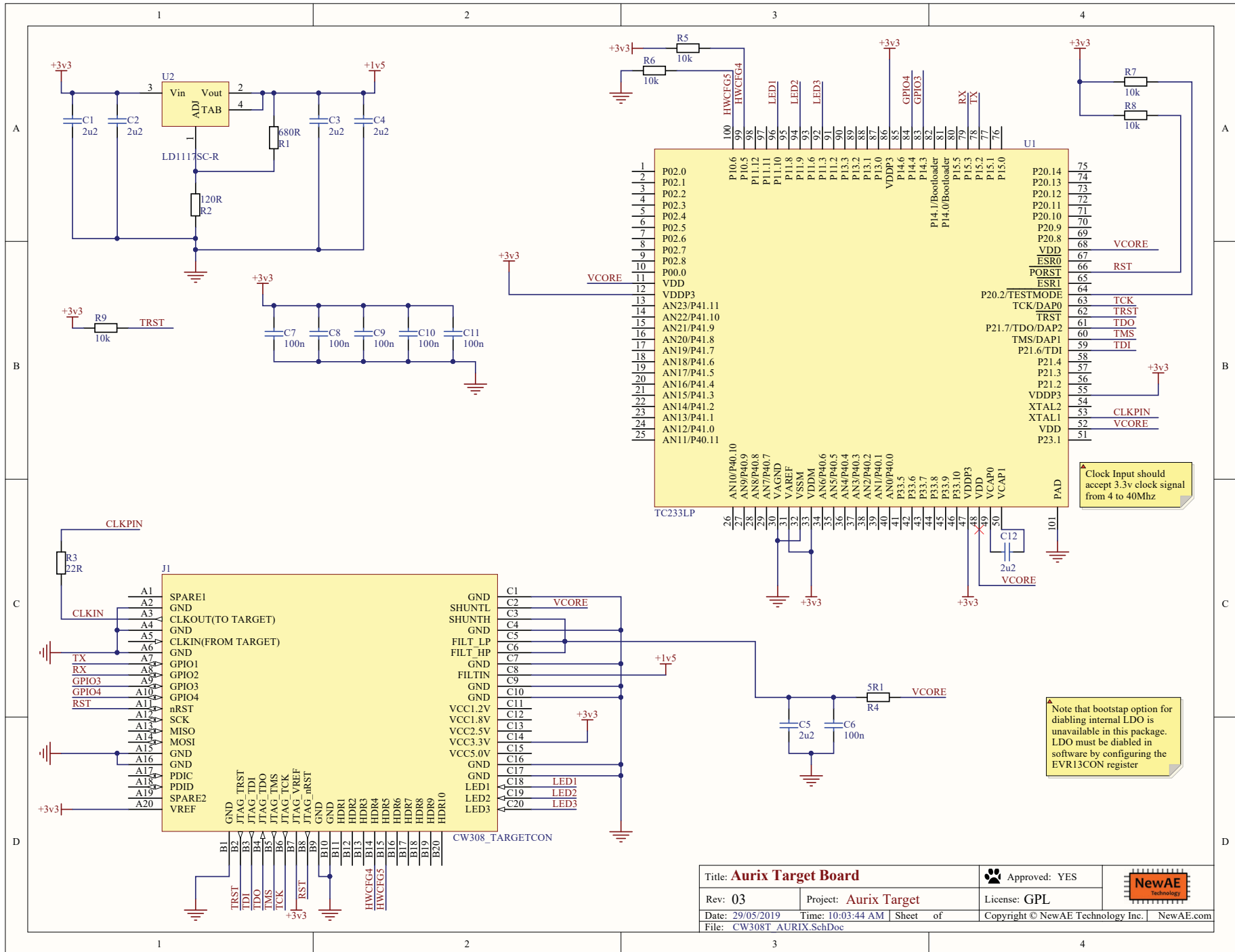
NAE-CW308T-AURIX-TC233

Infineon Aurix TC233LP UFO Target Board with
TC233LP32F200NACKXUMA1 (SAK-TC233LP-32F200N AC)

Product Links

- Full Documentation <https://wiki.newae.com/CW308T-AURIX>
- Hardware Design <https://github.com/newaetech/chipwhisperer-target-cw308t>
- Firmware Example <https://github.com/newaetech/chipwhisperer/tree/develop/hardware/victims/firmware/>

Schematic



Clock Input should accept 3.3v clock signal from 4 to 40Mhz

Note that bootstrap option for disabling internal LDO is unavailable in this package. LDO must be disabled in software by configuring the EVR13CON register

Title: Aurix Target Board		Approved: YES	
Rev: 03	Project: Aurix Target	License: GPL	
Date: 29/05/2019	Time: 10:03:44 AM	Sheet of	Copyright © NewAE Technology Inc. NewAE.com
File: CW308T_AURIX.SchDoc			

Disclaimers

All content is Copyright NewAE Technology Inc., 2019-2020. ChipWhisperer is a trademark of NewAE Technology Inc., registered in the United States of America, Europe, and Peoples Republic of China. ChipSHOUTER is a trademark of NewAE Technology Inc., registered in Europe. Trademarks are claimed in all jurisdictions and may be registered in other states than specified here.

NewAE Technology makes no representations or warranties with respect to the accuracy or completeness of the contents of this document and reserves the right to make changes to specifications and product descriptions at any time without notice. NewAE Technology does not make any commitment to update the information contained herein. NewAE Technology products are not intended, authorized, or warranted for use as components in applications intended to support or sustain life. NewAE Technology products are designed solely for teaching purposes.

All other product names and trademarks are the property of their respective owners, which are in no way associated or affiliated with NewAE Technology Inc. Use of these names does not imply any co-operation or endorsement.