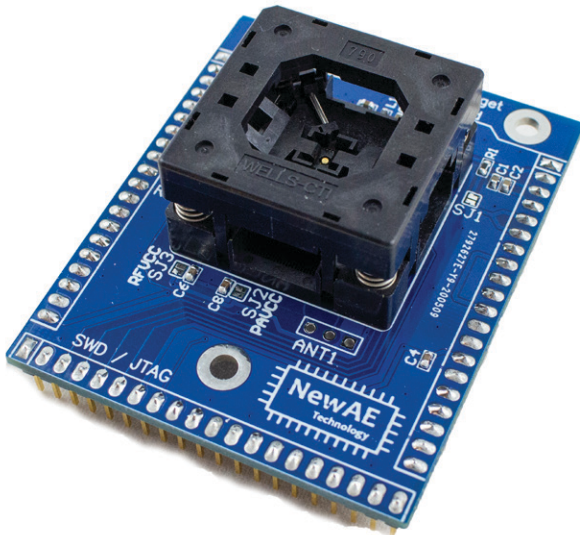




EFR32MG21 Socket UFO Target

NewAE Technology Inc.
newae.com



The EFR32MG21 board features a QFN32 socket that matches the EFR32MG21A/B footprint from Silicon Labs. The EFR32MG21A/B device features a number of security features, including a dedicated “Secure Element” or “Secure Vault” core that performs a secure boot operation, and DPA countermeasures on cryptographic primitives.

This board requires an external JTAG/SWD programmer (such as OpenOCD or J-Link) for use, as does not include a bootloader.

The design files are available as part of the open-source ChipWhisperer example targets.

The RF section is not broken out to a 50-ohm matched header, but instead a simple 3-pin header which allows potential usage in laboratory environments.

See the -MG21A board for soldered-on chip option A.
See the -MG21B board for soldered-on chip option B.

CW308 UFO Baseboard REQUIRED for use!
JTAG Programmer REQUIRED for use!

Product Highlights

EFR32MG21A/B (“Mighty Gecko Multiprotocol Wireless SoC”) has a high-performance Cortex M33 (TrustZone-M) with a separate “secure element” or “secure vault” core that handles the secure boot operation, along with multiple cryptographic accelerators (both AES and ECC) that include advertised DPA countermeasures.

Break-out for various voltage rails, allowing over-driving of internal regulator to reduce noise for DPA measurements, or for testing fault injection detection capability.

High quality QFN32 socket matches the EFR32MG21A or EFR32MB21B footprint allowing usage with multiple devices for template attacks or operations which are likely to cause device failure.

NO TARGET DEVICE INCLUDED. BE SURE TO ORDER A EFR32MG21A or EFR32MG21B DEVICE.

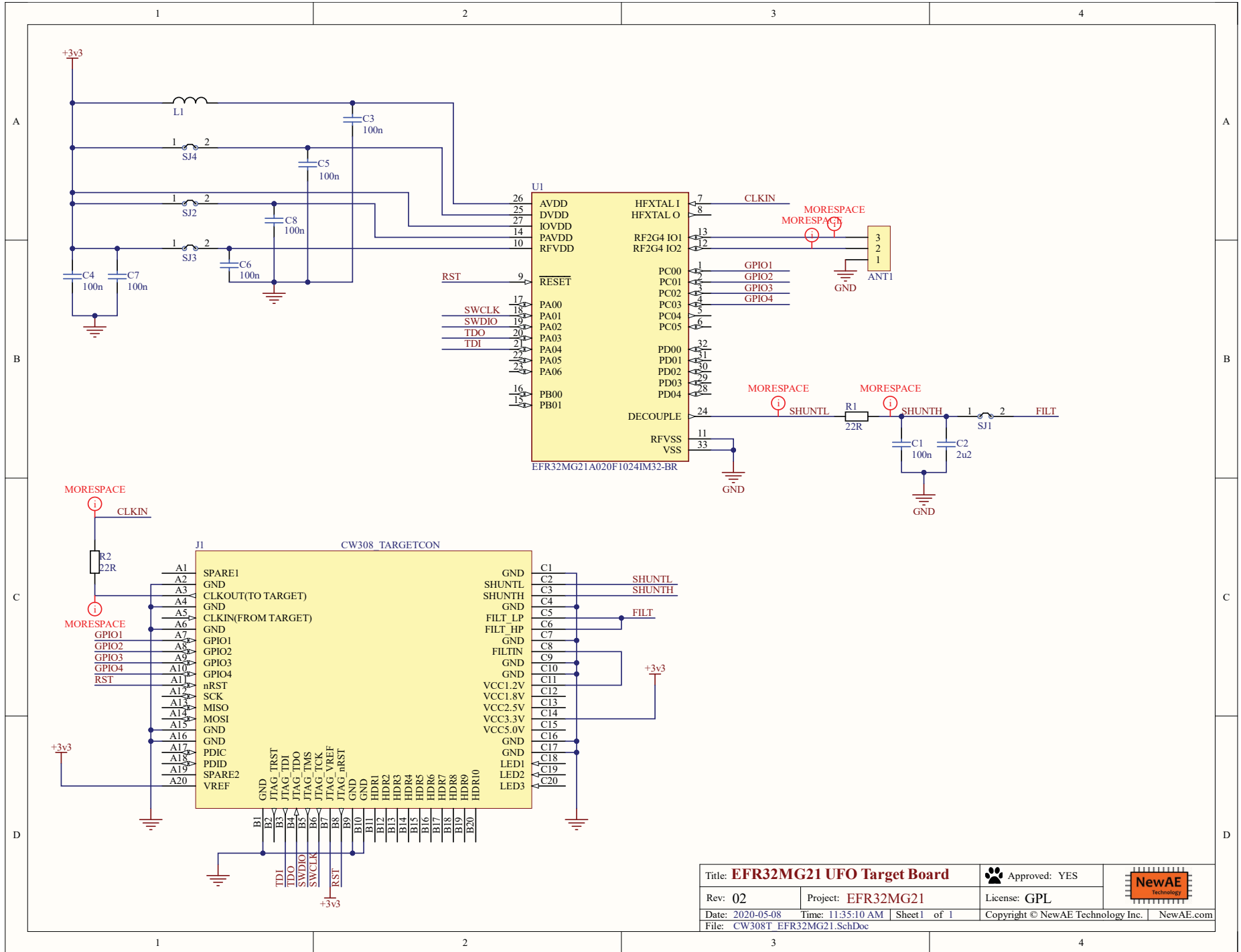
Ordering Summary


NAE-CW308T-EFR32MG21-SOCKET Silicon Labs EFR32MG21A/B UFO Target Board with QFN32 socket.

Product Links

- Full Documentation <https://wiki.newae.com/CW308T-EFR32MG21>
- Hardware Design <https://github.com/newaetech/chipwhisperer-target-cw308t>
- Firmware Example <https://github.com/newaetech/chipwhisperer/tree/develop/hardware/victims/firmware/>

Schematic



Title: EFR32MG21 UFO Target Board		Approved: YES	
Rev: 02	Project: EFR32MG21	License: GPL	
Date: 2020-05-08	Time: 11:35:10 AM	Sheet 1 of 1	Copyright © NewAE Technology Inc. NewAE.com
File: CW308T_EFR32MG21.SchDoc			

Disclaimers

All content is Copyright NewAE Technology Inc., 2019-2020. ChipWhisperer is a trademark of NewAE Technology Inc., registered in the United States of America, Europe, and Peoples Republic of China. ChipSHOUTER is a trademark of NewAE Technology Inc., registered in Europe. Trademarks are claimed in all jurisdictions and may be registered in other states than specified here.

NewAE Technology makes no representations or warranties with respect to the accuracy or completeness of the contents of this document and reserves the right to make changes to specifications and product descriptions at any time without notice. NewAE Technology does not make any commitment to update the information contained herein. NewAE Technology products are not intended, authorized, or warranted for use as components in applications intended to support or sustain life. NewAE Technology products are designed solely for teaching purposes.

All other product names and trademarks are the property of their respective owners, which are in no way associated or affiliated with NewAE Technology Inc. Use of these names does not imply any co-operation or endorsement.