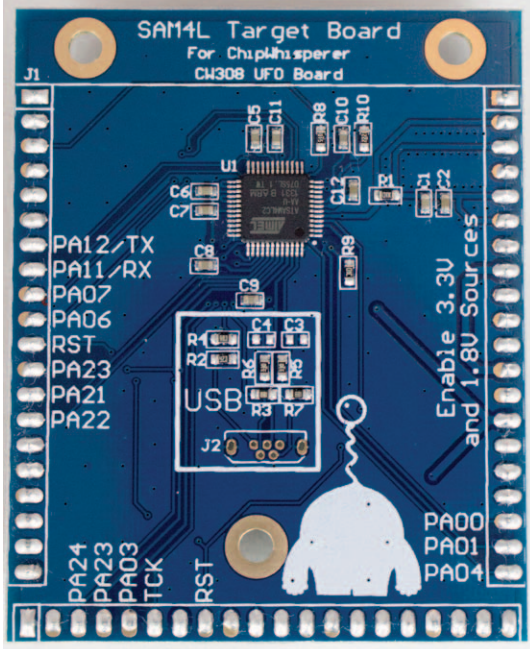




SAM4L UFO Target

NewAE Technology Inc.
newae.com



The SAM4L board features the ATSAM4L from Microchip. This device has an AES hardware accelerator with side-channel “countermeasures” that can be individually enabled or disabled, making it a good case study for evaluating test platforms.

The board requires an external JTAG based programmer for use.

CW308 UFO Baseboard REQUIRED for use!
JTAG/SWD Programmer REQUIRED for use!

Product Highlights

Microchip ATSAM4L in TQFP-48 package, with 128KB flash and 32KB SRAM.

JTAG port on CW308 UFO baseboard breaks out JTAG/SWD pins to standard 20-pin JTAG header.

Full design files are available under an open-source license.

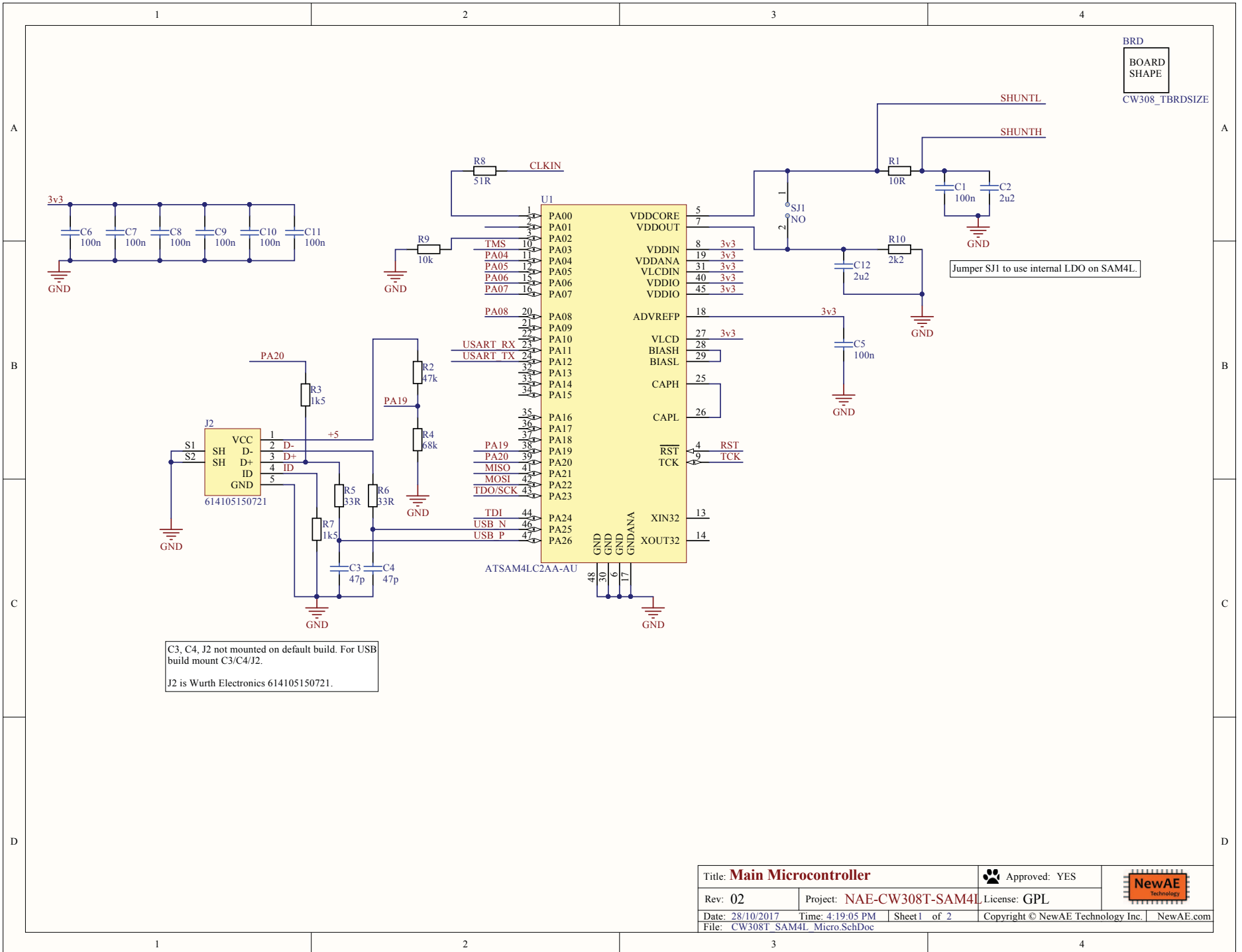
Ordering Summary

NAE-CW308T-ATSAM4L Microchip ATSAM4LC2AA-AU UFO Target Board.

Product Links

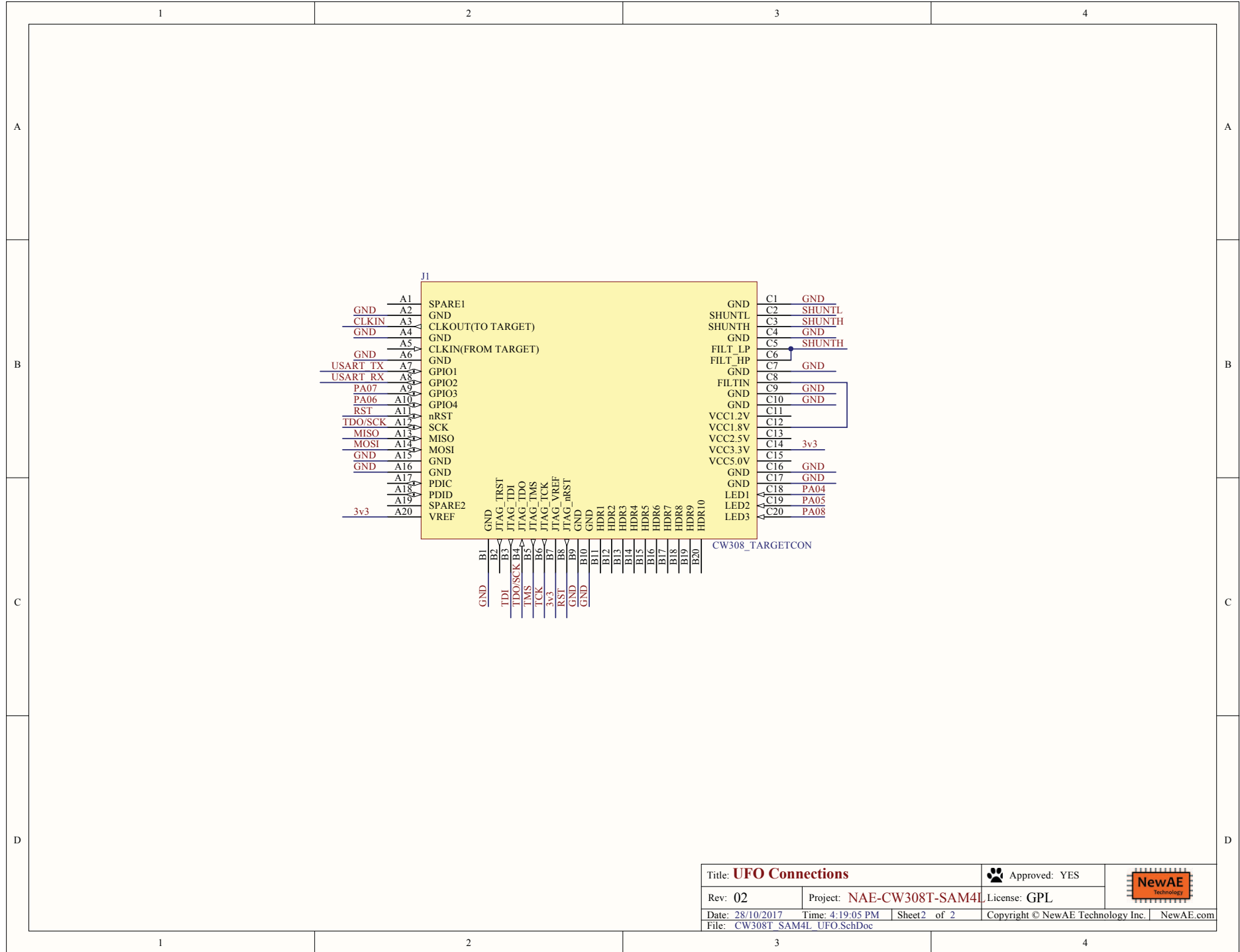
- Full Documentation <https://wiki.newae.com/CW308T-SAM4L>
- Hardware Design <https://github.com/newaetech/chipwhisperer-target-cw308t>
- Firmware Example <https://github.com/newaetech/chipwhisperer/tree/develop/hardware/victims/firmware/>

Schematic



Title: Main Microcontroller		Approved: YES	
Rev: 02	Project: NAE-CW308T-SAM4L	License: GPL	
Date: 28/10/2017	Time: 4:19:05 PM	Sheet 1 of 2	Copyright © NewAE Technology Inc. NewAE.com
File: CW308T_SAM4L_Micro.SchDoc			

Schematic



Title: UFO Connections		Approved: YES	
Rev: 02	Project: NAE-CW308T-SAM4L	License: GPL	
Date: 28/10/2017	Time: 4:19:05 PM	Sheet2 of 2	Copyright © NewAE Technology Inc. NewAE.com
File: CW308T_SAM4L_UFO.SchDoc			

Disclaimers

All content is Copyright NewAE Technology Inc., 2019. ChipWhisperer is a trademark of NewAE Technology Inc., registered in the United States of America and Europe. ChipSHOUTER is a trademark of NewAE Technology Inc., registered in Europe. Trademarks are claimed in all jurisdictions and may be registered in other states than specified here.

NewAE Technology makes no representations or warranties with respect to the accuracy or completeness of the contents of this document and reserves the right to make changes to specifications and product descriptions at any time without notice. NewAE Technology does not make any commitment to update the information contained herein. NewAE Technology products are not intended, authorized, or warranted for use as components in applications intended to support or sustain life. NewAE Technology products are designed solely for teaching purposes.

All other product names and trademarks are the property of their respective owners, which are in no way associated or affiliated with NewAE Technology Inc. Use of these names does not imply any co-operation or endorsement.